



# EASY-GRADER

*The grader that goes where others don't!*





## A totally innovative machine



SoermaTP, a company based in Vendée, France, had the concept and realized this innovative machine: A grader with these dimensions had not existed previously. It is however necessary for many public works applications.

The project started in 2017 with the company "Guillet" who made us realise this large gap in the market. In fact, on the market there are large machines with a weight of 12 tonnes and there are small graders weighing 1 tonne but these are inefficient. So, there is a gap to fill. In this case Soerma TP decided to create the Easy-Grader weighing 2.7 tonnes with premium technologies and functionalities, the same as a large grader.

When the site is becoming difficult or completely impossible for a classic grader, trust the Easy-Grader! Adapted for complex spaces, it enables quality work and offers you better productivity.



## Why this grader ?

An Easy-Grader of this calibre is missing from the market.

You have an urban, narrow site with complicated access with your grader? The Easy-Grader (which is homologated for the road) is easy to transport thanks to a gross weight below 3 tonnes, can reach all types of sites. But it's not just a small grader, this premium equipment and functionality, guarantees you quality work.

This Easy-Grader is perfectly adapted for narrow sites, which can be time-consuming and costly to prepare without an adequate machine.



## Multiple applications

- Building site
- Sports fields
- Roads & hard shoulders
- Alleys
- Pavement
- Walking trails & pathways
- Parking surfaces
- Cycle pathways / routes



With a height of only 2 metres (when the roll bar is folded) the Easy-Grader can enter into buildings for indoor working.

# Technical characteristics

- Functions controlled by joysticks
- Articulation between front boom and rear frame
- Hydrostatic transmission and steering
- 4 to 6-wheel drive
- Blade rotation, tilt and lift
- Adjustable suspension seat
- Driving with steering wheel
- Polyester resin bodywork
- Bodywork paint : yellow RAL 1003
- Frame/centre beam paint : grey RAL 7024
- Removable front blade
- 2 blades extension with corner to increase the length to 2 200 mm



**Easy Grader allows the reprofiling of the shoulder of the secondary network without cutting off the traffic!**



- Blade width: 1524 mm (extension 2 200 mm)
- Weight: 2 700 / 3 000 kg
- Maximum allowed slope: 15° front, rear and lateral
- Cylinder capacity/ Number of cylinders: 2,2 l / 4 cylinders
- Fuel tank capacity: 40 Litres
- Hydraulic tank capacity: 65 Litres
- Working lights: 12V / 55 W
- Noise level (CE standard): 82,9 dB at 1 m



**For a quality finish, the Easy Grader needs less workforce than a mini-power shovel and is twice as fast.**



# Strengths

- **Compact:** 4800 x 1500 mm
- **Powerful:** PERKINS / YANMAR engine 50cv
- **Efficient:** Lateral offset +/- 250mm
- **Driveability:** Tandem and crab
- **Precise:** Optimal vision and joysticks control
- **Road approval / certification:** CE/DREAL
- **Economic:** Low fuel consumption
- **All-terrain:** 4 or 6 wheel drive



# Product's highlights

- **Security:** Progressive acceleration, emergency stop, optimal vision.
- **Differentiation:** Innovative and new on the market
- **Easy maintenance:** Optimised accessibility and polyester resin body.
- **Simplified transport:** The folding safety bar, and a weight of less than 3 tonnes, enables the machine to be transported from one site to another with minimal loss of time.
- **Comfort**

## 6x6 version:

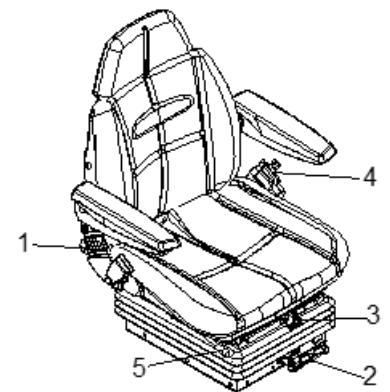
- Permanent **6-wheel drive**
- **Clutch** ensuring the synchronization of the 6 wheels
- **40% more power**
- Under load, **trajectory control**



Thanks to the front boom articulation, Easy Grader is as manoeuvrable as a smaller machine and can crab forward.



The adjustable, suspended seat offers driving and working comfort, allowing you to achieve complete productive days without excessive fatigue.



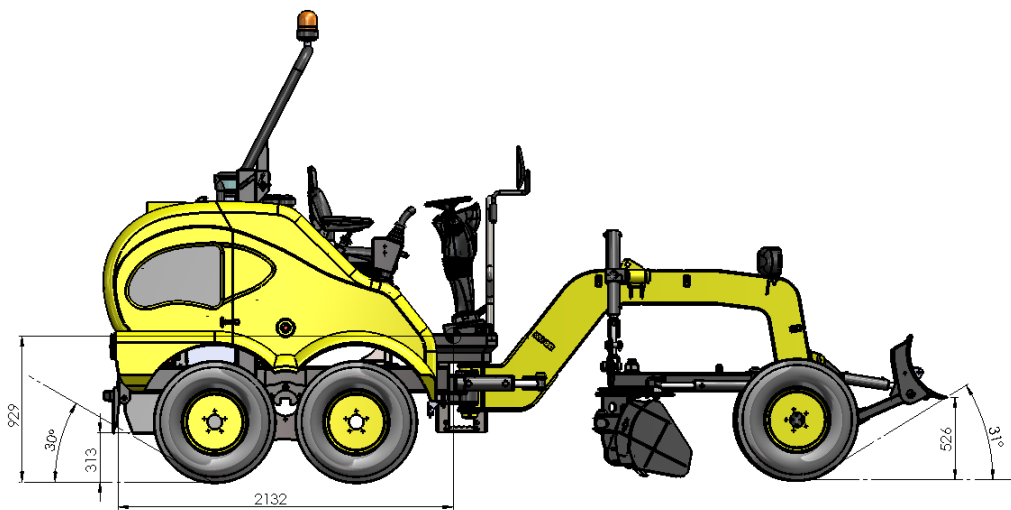
1. Cradle tilt control knob
2. Weight adjustment control
3. Suspension amplitude adjustment control
4. Seat belt
5. Depth adjustment control



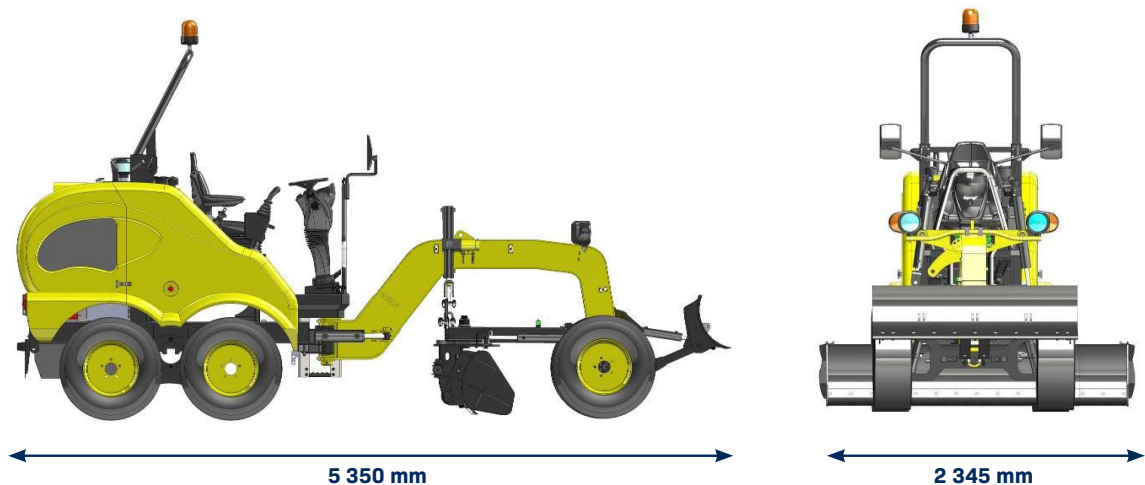
## Dimensions



## Angles and centre of gravity



## Dimensions with front blade + blade extension





Option: cab



Protection against bad weather for machine operator

Fast assembly and disassembly

Light

- **FRONT panel** composed of a metal structure, a curved tempered glass, thickness 5mm heating resistor
- **Single folded sheet metal** roof with skai-type under-roof cladding
- **REAR panel** in folded sheet metal with a 5mm thick polycarbonate window
- **Equipment:** windscreen wiper motor 12V, windscreen washer, ceiling light, 2 front work lights, front and rear sun visors, 12V socket
- **Set of flexible doors:** easily removable by zip
- **Dimensions:** interior height 1m85, interior width 1m
- **Weight:** 120 kg



## Option : Tipping trailer

- **Integral wood platform** multiplex tray
- **Wheels:** under platform
- **Axles:** 3 axles
- **Tyres:** 195/55R10
- **2 ramps** with hooking on the rear profile of the platform, under platform storage
- **Accessories:** Tool box; 4 strap tensioners with sling
- **Dimensions:** floor length: 5000 mm;  
floor width: 2040 mm
- **Weight:** 880 kg (empty) and 3500 kg (GVW)



## Option : Front brush



- Mixed polyester/polypropylene brush
- **Length:** 1600 mm
- **Diameter:** 550 mm
- Mechanical offset 300mm to the right and left
- 2 tyre wheels Ø 200 mm puncture-proof
- Hydraulic right and left orientation by 2 cylinders
- Hydraulic drive by 1 motor
- Parallelogram suspension with floating hydraulic line



# Option : 2D double mast laser guidance TOPCON



The Topcon 2D guidance system on the Easygrader is user-friendly, easy to use, and will increase your productivity and accuracy. It is also 3D scalable.

In addition, thanks to the LS-B110 cells interchangeable between machines (grader, excavator, bull) you benefit from a multitude of applications.

## System V management screen

### Control box:

- Proportional valve control
- LCD graphic display
- Consistent, smooth hydraulic response



Dual function control box commonly used on grading applications where elevation/slope or elevation/elevation must be controlled.

- Dual 3 color LED grade lights
- Compatible with remote automatic switches
- CAN compatible
- Option codes to enable motor grader



## Manual Laser Receiver LS-B110

### Laser receiver:

- Indicator
- Automatique
- 360 degrees

Compatible with any type of Topcon 2D guidance system.

## Ultrasound tracker (Sonic Tracker II)

Gives the altimetric reference in relation to an existing reference (border, string lines, etc.)

## Tilt sensor

Transversal slope sensor providing information on the slope of the blade (in indicative mode). Automatically, it makes it possible to correct the inclination of the blade in real time according to the information entered in the control screen.



# Option : 2D double mast laser guidance

## TRIMBLE

2D Grade Control gives you precise vertical guidance necessary to achieve tight tolerances and a smooth finished grade. Automatic or Visual.



The machine is equipped with **2 angle sensors** and a rotation sensor allowing the control of the transversal slope of the blade, even in case of blade rotation. The operator only has to follow the chosen longitudinal slope by manually adjusting the blade height on one side, or by using the laser receivers or the ultrasonic tracer.



The **ST400 Sonic Tracer** is mounted to the blade and uses a physical reference such as curb and gutter, stringline, existing or previous pass as an elevation reference.

The **LR410 laser receivers** are mounted to masts on the blade to work in 2D in all directions. Each laser receiver captures the plan generated by a rotating laser level positioned on the site (type GL422 - not included in the machine equipment). The masts are equipped with removable extensions, thus reconciling efficiency and compactness.

In the cab, the **CB460 control box** gives the blade's altimetry and inclination in real time, thus providing precision and speed of execution.



The system can be upgraded to 3D guidance: UTS (total station) or GNSS with the reuse of sensors, electrical harnesses and the CB460 control box.

- **Trimble** is the **market leader** in Machine Guidance
- Proven GCS900 system present on thousands of machines in France
- **Upgradeable system** to 3D guidance by reusing existing components
- **Sitech service available** everywhere in France: on-field service, remote support, training, after-sales service, rental.



# Option : 2D double mast laser guidance MOBA

## CONTROL PANEL ROBUST,PROVEN,EFFICIENT

### System characteristics

- CAN Technology
- Ergonomic screen
- Robust material
- Multilingual Menu
- Operator assistance system
- Wide choice of sensors



### System benefits

- High quality platform
- Times saving thanks to fully automatic blade adjustment
- Exact leveling along curves
- Compatibility with any machine and any application







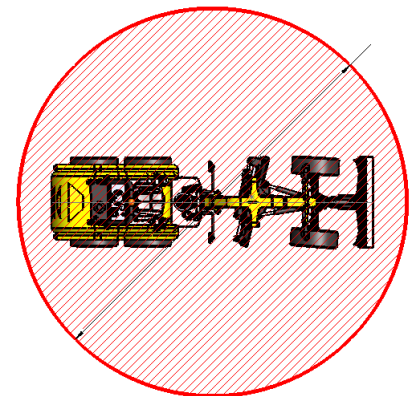
Due to its ergonomic position, the operator gets optimal vision for precision work.

## Options and references



8 metre working area

| Code           | Description                                 |
|----------------|---|
| KME000TNV0201  | Grader "Easy Grader" 6x4                    |
| KME000TNV0202  | Grader "Easy Grader" 6x6                    |
| <b>Options</b> |   |
| KME000TNV0115  | Easy-Grader Cab                             |
| KME000TNV0107  | Transport trailer for Easy-Grader           |
| KME000TNV0220  | Front brush (1m60 wide)                     |
| KME000TNV0115  | 2D double mast laser guidance<br>TOPCON     |
| KME000TNV0123  | 2D double mast laser guidance<br>TRIMBLE    |
| KME000TNV0124  | 2D double mast laser guidance<br>MOBA       |
| KME000TNV0105  | Hydraulic preparation for laser<br>guidance |
| KME000TNV0106  | Ripper teeth for front blade                |



+33 (0)2 51 31 67 67  
[info@soermatp.com](mailto:info@soermatp.com)  
[www.easy-grader.com](http://www.easy-grader.com)

ZI. la Croix des Chaumes  
 85170 le Poiré sur Vie (FRANCE)